

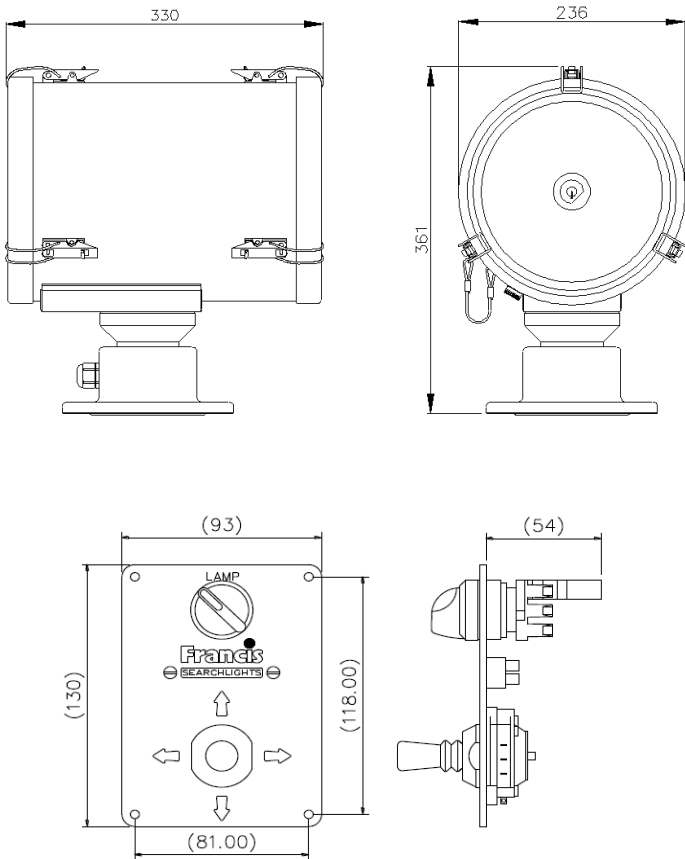
L230RC 250w Halogen Remote Control Searchlight

THE FRANCIS L230 Halogen Remote Control searchlight is part of the quality searchlight range. Having been designed with the precise aim of bringing a low profile, high performing and cost effective solution to the market.

The L230RC LED has been carefully developed to withstand the extraordinary conditions while in use in the harshest of environment, such as Patrol Craft, Coast Guard and any smaller vessel application that requires a compact, lightweight, and high performer.

Information:

- Toughened super clear Optiwhite front glass.
- Parabolic super pure Aluminium reflector.
- Marine grade materials and fixings.
- Powder coated and stove enamel paint finish.
- Heater fitted in barrel.
- Fixed Focus.



Specification	
Input voltage:	24v DC 115-240v AC
Input current:	12A Max 4.5A Max
Total power consumption:	288w Max 520w Max
Searchlight H.W.D:	361 x 236 x 332mm
Weight:	11Kgs
Halogen power:	250w, 300w
Range @ 1 Lux:	1095m, 888m
Divergence:	2.3°, 4.8°
Lamp life (approx.)	300h, 75h
Colour temperature:	3000K
Luminous flux:	8,000-9,000 lumens
Pan rotation:	365°
Tilt elevation:	±20°
Pan speed:	24°/sec
Tilt Speed:	4°/sec
IP rating:	IP66
Operating temperature:	-20°C to +50°C
Base Fixings:	3 holes Ø11 on a 154mm PCD
Joystick Control Panel	93 x 130mm (80 x 117mm cutout)
Part Numbers:	
A6247 L230RC 24v Halogen Remote Control Searchlight	
A6245 L230RC 110/230v Halogen Remote Control Searchlight	