

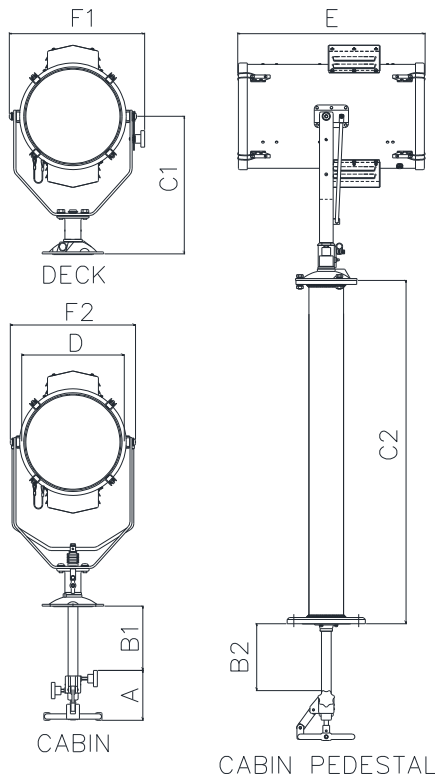
L300 234w LED Searchlight Manual Operation

The Francis L300RC 234w LED searchlight range continues to develop and offers an Efficiently and Environmentally Friendly alternative to traditional lamp sources.

Using the highest grade of LED, this range offers a high power output with low power consumption. Using a series of precision made glass lenses to optimize and collimate the light output, to achieve a greater range and output.

Information:

- Toughened super clear Optiwhite front glass.
- Precision made glass lenses.
- Marine grade materials and fixings.
- Powder coated and stove enamel paint finish.
- Special B1/2 & C2 dimensions available on request.
- Remote Focus fitted as standard.
- Control Unit On/Off & Focus.
- Optional Anti-icing heater.
- IR LED Night Vision (Optional)
- Strobe Capability (Optional)



Dimensions & Weights:								
A	B1	B2	C1	C2	D	E	F1	F2
146	188	196	403	1004	300	576	398	367
Deck 17Kgs		Deck Ped 21Kgs		Cabin 20Kgs		Cabin Ped 24Kgs		
LV LED Driver Assy weight: 4Kgs				Dimensions: 402 x 278 x 130mm				
HV LED Driver Assy weight: 3Kgs				Dimensions: 360 x 254 x 111mm				

Specification

Input voltage:	24v DC	115/240v AC
Input current:	10A Max	1A Max
Total power consumption:	240w Max	240w Max
LED power:	234w	
Range @ 1 Lux:	3047m	
Divergence:	4° & 10°	
LED life (approx.)	20,000h	
Colour temperature:	6000K	
Luminous flux:	35,537 lumens	
Pan rotation:	450°	
Tilt elevation Deck/Ped:	±40°	
Tilt elevation Cabin/Ped:	+30° -25°	
IP rating:	IP66	
Operating temperature:	-20°C to +50°C	

Fixings:

Deck & Cabin: 3 holes Ø11.0 on a 154 PCD
Deck Ped & Cabin Ped: 4 holes Ø12.5 on a 190 PCD
Cabin & Cabin Ped: Ø75 Centre Hole
LV LED Driver Dimensions: 4 off M6 holes 354 x 254mm
HV LED Driver Dimensions: 4 off M4 holes 346 x 239mm

Part Numbers:

A6192 L300D Deck 115/230v	A6188 L300D Deck 24v
A6193 L300DP Deck Ped 115/230v	A6189 L300DP Deck Ped 24v
A6194 L300C Cabin 115/230v	A6190 L300C Cabin 24v
A6195 L300CP Cabin Ped 115/230v	A6191 L300CP Cabin Ped 24v