

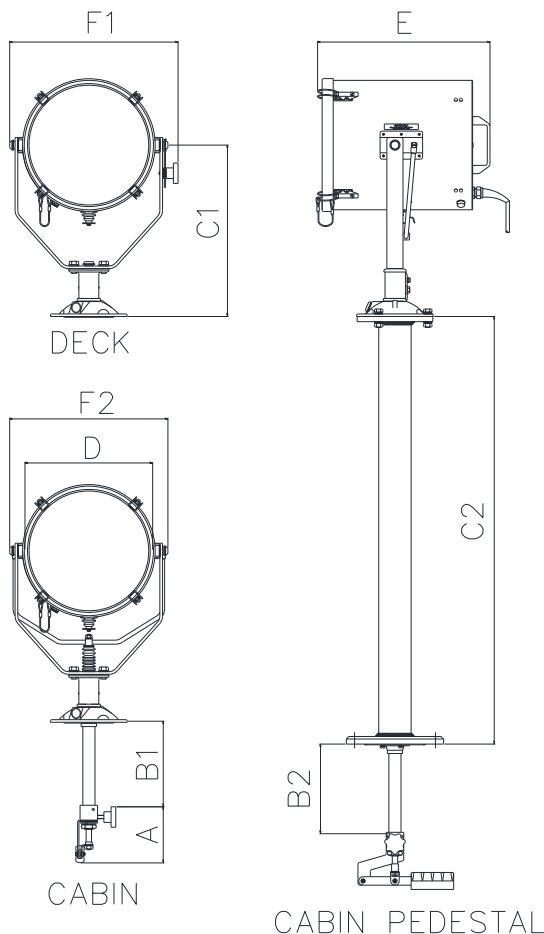
# L300 Halogen Searchlight Manual Operation

The FRANCIS Lite range of searchlights incorporate the design features required to successfully operate searchlights in the most demanding product operating environments on land and sea.

These units are particularly suitable for use on patrol craft, custom vessels and general marine applications.

## Information:

- Toughened super clear Optiwhite front glass.
- Parabolic glass reflector.
- Marine grade materials and fixings.
- Powder coated and stove enamel paint finish.
- Optional Heater fitted in barrel.
- Light shield to prevent unwanted glare & stray Light.
- Special B1/2 & C2 dimensions available on request.



Specification		
Input voltage:	24v DC,	115-240v AC
Input current:	11A Max	9A Max
Total power consumption:	264w Max	1035w
Halogen power:	250w, 650w, 1000w	
Range @ 1 Lux:	1490m, 905m, 1000m	
PBCP x 1000:	2220, 820, 1000	
Divergence:	3.5°	
Lamp life (approx.)	300 - 750h	
Colour temperature:	3000K	
Luminous flux:	5,000, 13,500, 22,000 lumens	
Pan rotation:	450°	
Tilt elevation Deck/Ped:	±40°	
Tilt elevation Cabin/Ped:	+30° -25°	
IP rating:	IP66	
Operating temperature:	-20°C to +50°C	
Base Fixings:		
Deck & Cabin: 3 holes Ø11.0 on a 154 PCD		
Deck Ped & Cabin Ped: 4 holes Ø12.5 on a 190 PCD		
Cabin & Cabin Ped: Ø75 Centre Hole		
Part Numbers:		
A2960 L300D Deck 24v Halogen Searchlight		
A2940 L300D Deck 115/240v Halogen Searchlight		
C20624-01 Cabin Handle Assy		
C20719-79 Pedestal Assy		
C20669-01 Cabin Pedestal Handle Assy		
Optional Halogen Lamps:		
D9851 24v 250w		D1813 230v 650w
D6715 230v 1Kw		D1809 115v 1Kw

### Dimensions & Weights:

A	B1	B2	C1	C2	D	E	F1	F2
130	199	211	403	1004	300	399	398	376
Deck 12Kgs		Deck Ped 16Kgs		Cabin 14Kgs		Cabin Ped 20Kgs		