

L300RC 1Kw Halogen Twinhead Remote Control Searchlight

The FRANCIS TWIN HEAD Range of Remote Control searchlights has been designed with the precise aim of bringing to the market, the ultimate searchlight for both navigation and search and rescue.

The L300RC has two light sources within the twin headed design, one white light and the other UV light, therefore able to identify oil spill hazards.

The L300RC is a high quality large range compact remote control halogen searchlight. These units are particularly suitable for use on patrol craft, Tugboats, custom vessels and general marine applications.

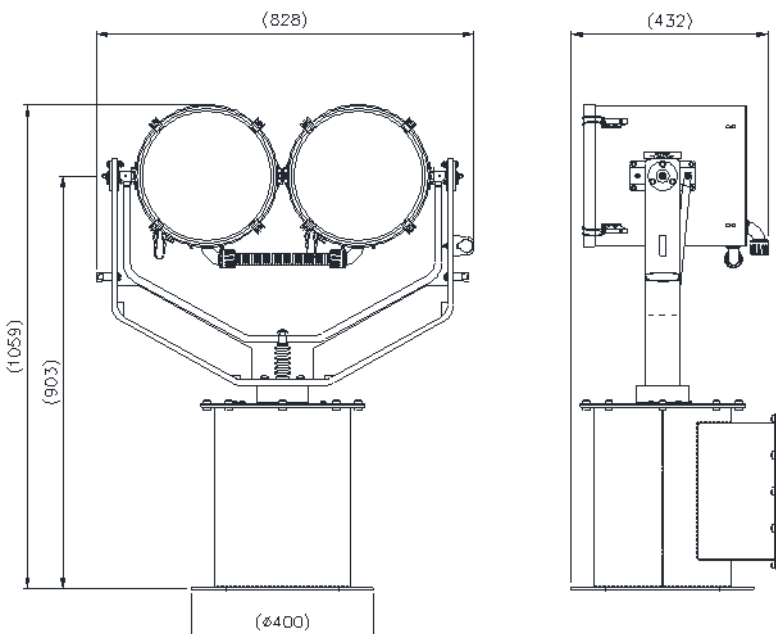
The Francis bus (FBUS) is a custom communication protocol based on RS485 two-wire bi-directional communication hardware.

Information:

- Toughened super clear Optiwhite front glass.
- Parabolic glass reflector
- Marine grade materials and fixings.
- Powder coated and stove enamel paint finish.
- Variable speed, with auto home position.
- Dimmable control panel.
- Heater fitted in gearbox & barrel optional.
- Remote focus.
- Direct cable connection.

Optional extras:

- Computer Control Software
- Azimuth LED Control Panel
- Master Control Panel (control up to 6 Searchlights)
- Slave Control Panels (with full control)
- Fiber Optic/TCP/IP Connections
- Flir Thermal camera
- UV Glass



Specification	
Input voltage:	24v DC 110 - 240 VAC
Input current:	22A Max – 20A Max
Total power consumption:	550w Max 4900w Max
H,W,D:	1059 x 828 x 432mm
Weight:	54Kgs
Halogen power:	250w, 1Kw
Range @ 2 Lux:	250w = 1490m, 1Kw = 1000m
Divergence:	3° - 5°
Lamp life (approx.)	300-750 h
Colour temperature:	3050K
Luminous flux:	9,000 - 21,000 lm each barrel
PBCP x 1000:	2,220, 1,000 each barrel
Pan rotation:	385°
Tilt elevation:	+35° - 45°
Pan speed:	1 to 43°/sec
Tilt Speed:	1 to 14°/sec
IP rating:	IP66
Operating temperature:	-20°C to +50°C (Optional -50°)
Base Fixings:	4 holes 12.5 Ø on a 350mm PCD
Joystick Control Panel	120x120mm (106 x 106mm cutout)
Part Numbers:	
A7211 L300RC 115/240v 1Kw Remote Control Searchlight	
A7212 L300RC 24v 250w Remote Control Searchlight	
Optional Halogen Lamps:	
D9851 24v 250w	D1813 230v 650w
D1809 115v 1Kw	D6715 230v 1Kw