

# L300RC 468w LED Twinhead Remote Control Searchlight

The Francis L300RC Remote Focus Twinhead LED searchlight range, incorporates Thermal imaging camera function, with a superior range of variable speed Remote Controlled Searchlights

Using the highest grade of LED, this range offers a high power output with low power consumption. Using a series of precision made glass lenses to optimize and collimate the light output, to achieve a greater range and output.

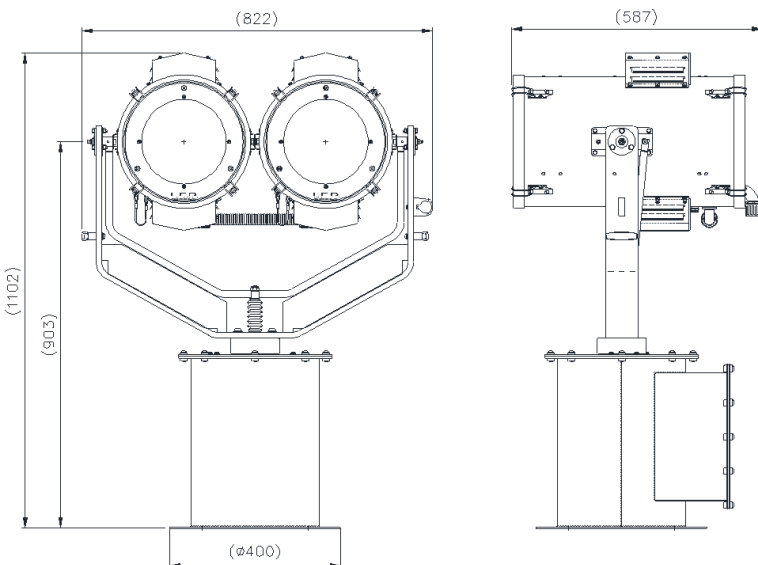
The Francis bus (FBUS) is a custom communication protocol based on RS485 two-wire bi-directional communication hardware.

## Information:

- Toughened super clear Optiwhite front glass.
- Precision made glass lenses
- Marine grade materials and fixings.
- Powder coated and stove enamel paint finish.
- Variable speed, with auto home position.
- Dimmable Control Panel.
- Heater fitted in gearbox & barrel.
- High quality LED Drivers 50/60 Hz 1ph.
- Remote Focus.
- Direct cable connection to internal LED Driver.

## Optional extras:

- Computer Control Software
- Azimuth LED Control Panel
- Master Control Panel (control up to 6 Searchlights)
- Slave Control Panels (with full control)
- Fiber Optic/TCP/IP Connections
- Flir Thermal camera
- Infrared LED Array Night Vision
- Strobe Capability



Specification	
Input voltage:	24v DC 110 - 240 VAC
Input current:	24A Max - 5A Max
Total power consumption:	600w Max 1200w Max
H,W,D:	1102 x 822 x 586mm
Weight:	75Kgs
LED power:	468w
Range @ 2 Lux:	3047m
Divergence:	4°-10°
LED life (approx.)	20,000h
Colour temperature:	6000K
Luminous flux:	71,074 lumens
Pan rotation:	385°
Tilt elevation:	±35°
Pan speed:	1 to 43°/sec
Tilt Speed:	1 to 14°/sec
IP rating:	IP56
Operating temperature:	-20°C to +50°C (Optional -50°)
Base Fixings:	4 holes 12.5 Ø on a 350mm PCD
Joystick Control Panel	150x150mm (136 x 136mm cutout)
Part Numbers:	
A7177 L300RC 115/240v 468w LED Remote Control Searchlight	
A7202 L300RC 24v 468w LED Remote Control Searchlight	