

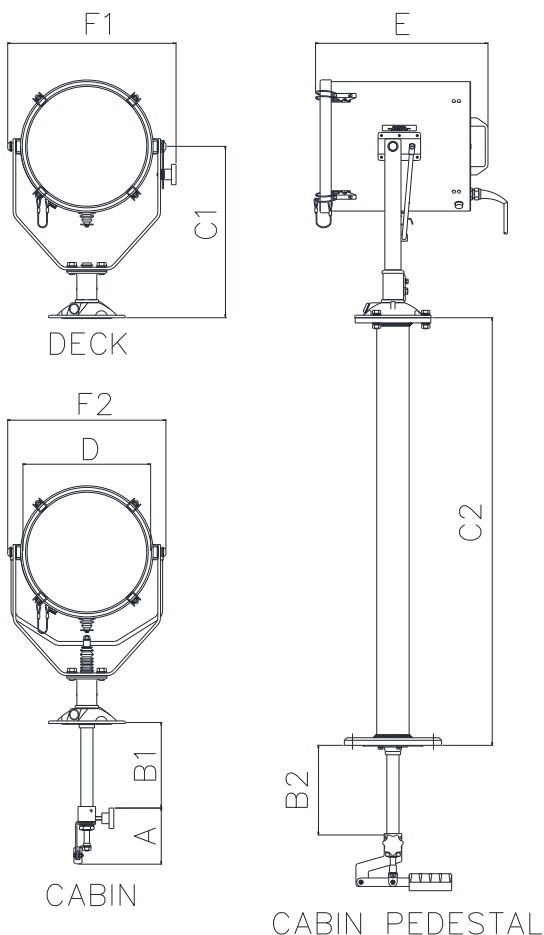
L380 Halogen Searchlight Manual Operation

The FRANCIS Lite range of searchlights incorporate the design features required to successfully operate searchlights in the most demanding product operating environments on land and sea.

These units are particularly suitable for use on patrol craft, custom vessels and general marine applications.

Information:

- Toughened super clear Optiwhite front glass.
- Parabolic glass reflector.
- Marine grade materials and fixings.
- Powder coated and stove enamel paint finish.
- Optional Heater fitted in barrel.
- Light shield to prevent unwanted glare & stray Light.
- Special B1/2 & C2 dimensions available on request.



Specification	
Input voltage:	24v DC, 115-240v AC
Input current:	11A Max 9A Max
Total power consumption:	264w Max 1100w
Halogen power:	250w, 650w, 1000w
Range @ 1 Lux:	1673m, 1114m, 1249m
PBCP x 1000:	2220, 820, 1000
Divergence:	3°, 5°, 6°
Lamp life (approx.)	300 - 750h
Colour temperature:	3000K
Luminous flux:	5,000, 13,500, 22,000 lumens
Pan rotation:	450°
Tilt elevation Deck/Ped:	±40°
Tilt elevation Cabin/Ped:	+30° -25°
IP rating:	IP66
Operating temperature:	-20°C to +50°C
Base Fixings:	
Deck & Cabin: 3 holes Ø11.0 on a 154 PCD	
Deck Ped & Cabin Ped: 4 holes Ø12.5 on a 190 PCD	
Cabin & Cabin Ped: Ø75 Centre Hole	
Part Numbers:	
A2591 L380D Deck 24v Halogen Searchlight	
A2587 L380D Deck 115/240v Halogen Searchlight	
C22314-01 Cabin Handle Assy	
C20719-79 Pedestal Assy	
C22317-01 Cabin Pedestal Handle Assy	
Optional Halogen Lamps:	
D9851 24v 250w	D1813 230v 650w
D6715 230v 1Kw	D1809 115v 1Kw

Dimensions & Weights:

A	B1	B2	C1	C2	D	E	F1	F2
130	199	211	450	1004	380	395	473	450
Deck 14Kgs		Deck Ped 19Kgs		Cabin 17Kgs		Cabin Ped 23Kgs		