

L380RC 800w LED Remote Control Searchlight

The Francis L380RC 800w LED searchlight range continues to develop and offers an Efficiently and Environmentally Friendly alternative to traditional lamp sources.

Using the highest grade of LED, this range offers a high power output with low power consumption. Using a series of precision made glass lenses to optimize and collimate the light output, to achieve a greater range and output.

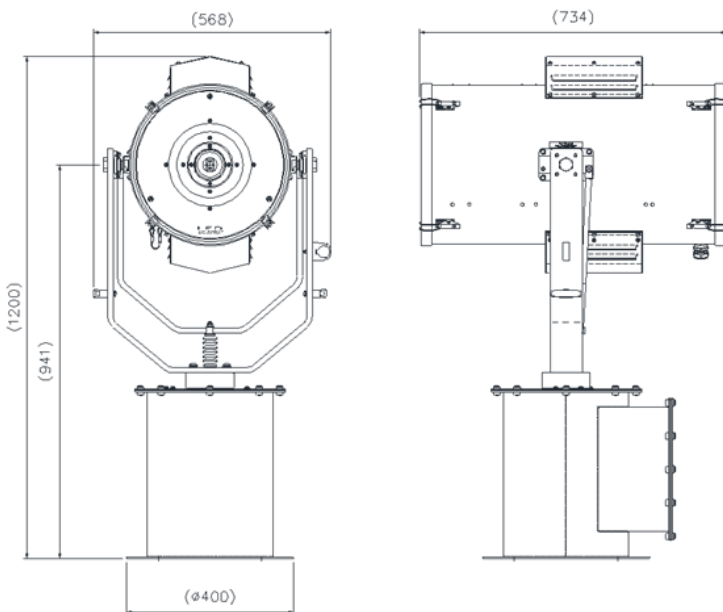
The Francis bus (FBUS) is a custom communication protocol based on RS485 two-wire bi-directional communication hardware.

Information:

- Toughened super clear Optiwhite front glass.
- Precision made glass lenses
- Marine grade materials and fixings.
- Powder coated and stove enamel paint finish.
- Variable speed, with auto home position.
- Dimmable Control Panel.
- Heater fitted in gearbox & barrel.
- High quality LED Drivers 50/60 Hz 1ph.
- Remote Focus.
- Direct cable connection to internal LED Driver.

Optional extras:

- Computer Control Software
- Azimuth LED Control Panel
- Master Control Panel (control up to 6 Searchlights)
- Slave Control Panels (with full control)
- Fiber Optic/TCP/IP Connections
- Flir Thermal camera
- Infrared LED Array Night Vision
- Strobe Capability



Specification

Input voltage:	110 VAC - 240 VAC
Input current:	10.0A Max - 5.0A Max
Total power consumption:	1200w Max
H,W,D:	1200 x 568 x 734mm
Weight:	67Kgs
LED power:	800w
Range @ 1 Lux:	1464m
Divergence:	10°-17°
LED life (approx.)	30,000h
Colour temperature:	6500K
Luminous flux:	51,200 lumens
Pan rotation:	385°
Tilt elevation:	±30°
Pan speed:	1 to 43°/sec
Tilt Speed:	1 to 14°/sec
IP rating:	IP56
Operating temperature:	-20°C to +50°C (Optional -50°)
Base Fixings:	4 holes 12.5 Ø on a 350mm PCD
Joystick Control Panel	120x120mm (106 x 106mm cutout)

Part Numbers:

A7314 L380RC 115/240v 800w LED Remote Control Searchlight