

L480 200w LED Searchlight Manual Operation

The Francis LED searchlight range continues to develop and offers an Efficiently and Environmentally Friendly alternative to traditional lamp sources. Using the highest grade of BridgeLux LED, this range offers a high power output with low power consumption. In addition, the BridgeLux Series offer a lamp life of 33,000 hours.

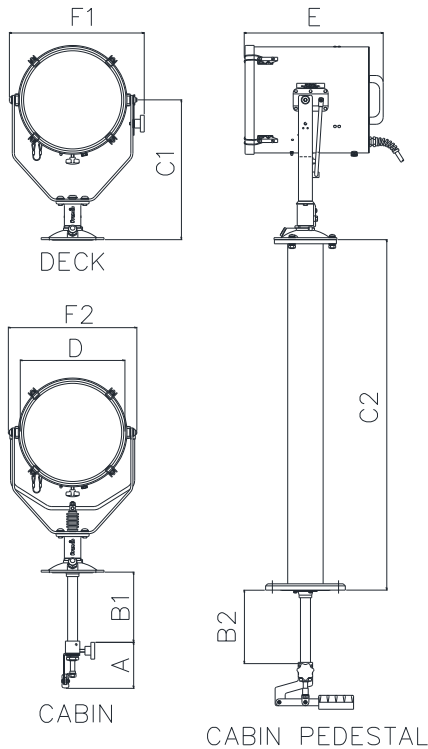
As with all Francis products, the construction is robust and of the highest quality of construction.

Utilizing excellent thermal management of the LED chip ensures successful performance and chip life.

The 200w LED gives illumination characteristics similar to that of a 2000w halogen lamp. This model offers a focus adjustment of the beam from 7° spot to 20° flood.

Information:

- Toughened super clear Optiwhite front glass.
- Parabolic glass reflector.
- Marine grade materials and fixings.
- Powder coated and stove enamel paint finish.
- Special B1/2 & C2 dimensions available on request.
- Optional Anti-icing heater.



Dimensions & Weights:								
A	B1	B2	C1	C2	D	E	F1	F2
130	199	211	550	1004	480	465	571	550
Deck 20Kgs		Deck Ped 25Kgs		Cabin 23Kgs		Cabin Ped 29Kgs		
HV LED Driver Assy weight: 3Kgs				Dimensions: 278 x 108 x 133mm				

Specification	
Input voltage:	115 - 240v AC
Input current:	2A Max
Total power consumption:	240w Max
LED power:	200w
Range @ 1 Lux:	1546m
Divergence:	7° & 20°
LED life (approx.)	33,000h
Colour temperature:	6500K
Luminous flux:	27,800 lumens
Pan rotation:	450°
Tilt elevation Deck/Ped:	±40°
Tilt elevation Cabin/Ped:	+30° -25°
IP rating:	IP66
Operating temperature:	-20°C to +50°C
Fixings:	
Deck & Cabin: 3 holes Ø11.0 on a 154 PCD	
Deck Ped & Cabin Ped: 4 holes Ø12.5 on a 190 PCD	
Cabin & Cabin Ped: Ø75 Centre Hole	
HV LED Driver Dimensions: 4 off M6 holes 254 x 164mm	
Part Numbers:	
A6220 L480D Deck 240v 200w LED Searchlight	
C28462-01 Cabin Control Handle Assy	
C20719-39 Pedestal Assy	
C28463-01 Cabin Ped Control Handle Assy	