

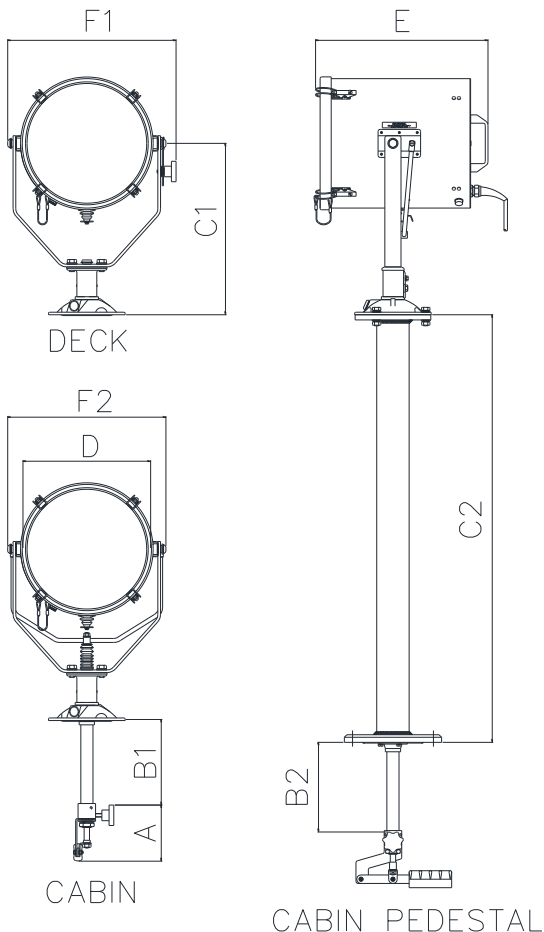
L480 Halogen Searchlight Manual Operation

The FRANCIS Lite range of searchlights incorporate the design features required to successfully operate searchlights in the most demanding product operating environments on land and sea.

These units are particularly suitable for use on patrol craft, custom vessels and general marine applications.

Information:

- Toughened super clear Optiwhite front glass.
- Parabolic glass reflector.
- Marine grade materials and fixings.
- Powder coated and stove enamel paint finish.
- Optional Heater fitted in barrel.
- Light shield to prevent unwanted glare & stray Light.
- Special B1/2 & C2 dimensions available on request.



Specification		
Input voltage:	115v	240v AC
Input current:	18A Max	9A Max
Total power consumption:	2100w Max	2200w Max
Halogen power:	1Kw & 2Kw	
Range @ 1 Lux:	1Kw = 1441m, 2Kw = 1643m	
PBCP x 1000:	1Kw = 2,078, 2Kw = 2,701	
Divergence:	4.5° & 6.5°	
Lamp life (approx.)	400-750h	
Colour temperature:	3000K	
Luminous flux:	22,000 & 52,000 lumens	
Pan rotation:	450°	
Tilt elevation Deck/Ped:	±40°	
Tilt elevation Cabin/Ped:	+30° -25°	
IP rating:	IP66	
Operating temperature:	-20°C to +50°C	
Base Fixings:		
Deck & Cabin: 3 holes Ø11.0 on a 154 PCD		
Deck Ped & Cabin Ped: 4 holes Ø12.5 on a 190 PCD		
Cabin & Cabin Ped: Ø75 Centre Hole		
Part Numbers:		
A2944 L480D Deck 115/240v 1Kw Halogen Searchlight		
A2948 L480D Deck 115/240v 2Kw Halogen Searchlight		
C20730-01 Cabin Handle Assy		
C20719-79 Pedestal Assy		
C20737-01 Cabin Pedestal Handle Assy		
Optional Halogen Lamps:		
D1809 115v 1Kw	D6715 230v 1Kw	
D20390 115v 2Kw	D20236 230v 2Kw	

Dimensions & Weights:

A	B1	B2	C1	C2	D	E	F1	F2
130	199	211	550	1004	480	463	571	550
Deck 20Kgs		Deck Ped 25Kgs		Cabin 23Kgs		Cabin Ped 28Kgs		