

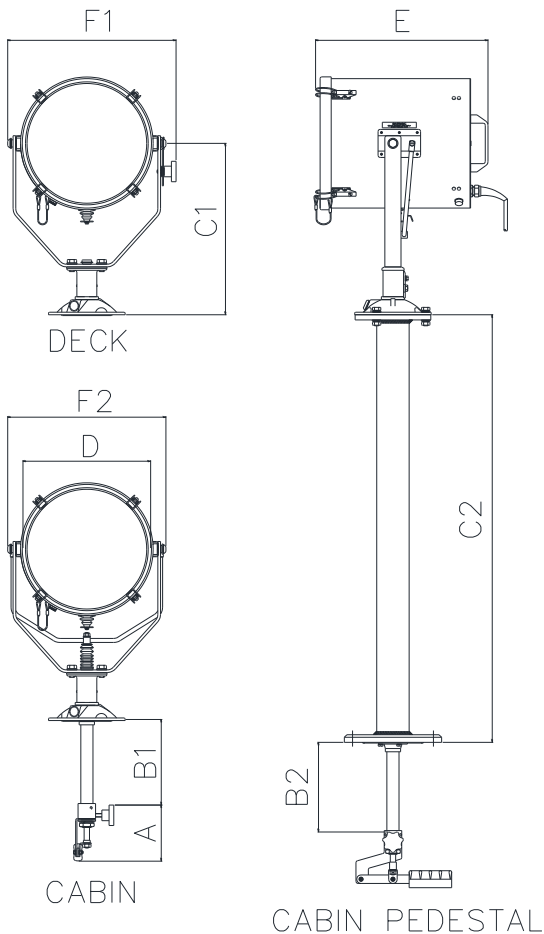
# L560 Halogen Searchlight Manual Operation

The FRANCIS Lite range of searchlights incorporate the design features required to successfully operate searchlights in the most demanding product operating environments on land and sea.

These units are particularly suitable for use on patrol craft, custom vessels and general marine applications.

## Information:

- Toughened super clear Optiwhite front glass.
- Parabolic glass reflector.
- Marine grade materials and fixings.
- Powder coated and stove enamel paint finish.
- Optional Heater fitted in barrel.
- Light shield to prevent unwanted glare & stray Light.
- Special B1/2 & C2 dimensions available on request.



Specification		
Input voltage:	115v	240v AC
Input current:	18A Max	9A Max
Total power consumption:	2200w Max	
Halogen power:	2Kw	
Range @ 1 Lux:	2030m	
PBCP x 1000:	4,121 Mil	
Divergence:	4.8°	
Lamp life (approx.)	400h	
Colour temperature:	3200K	
Luminous flux:	56,000 lm	
Pan rotation:	450°	
Tilt elevation Deck/Ped:	±40°	
Tilt elevation Cabin/Ped:	+30° -25°	
IP rating:	IP66	
Operating temperature:	-20°C to +50°C	
Base Fixings:		
Deck & Cabin: 3 holes Ø11.0 on a 174 PCD		
Deck Ped & Cabin Ped: 4 holes Ø12.5 on a 270 PCD		
Cabin & Cabin Ped: Ø52 Centre Hole, Ø95 Centre Hole		
Part Numbers:		
A7090 L560D Deck 115/240v 2Kw Halogen Searchlight		
C23348-01 Cabin Handle Assy		
C22800-79 Pedestal Assy		
C22786-01 Cabin Pedestal Handle Assy		
Optional Halogen Lamps:		
D20390 2Kw 115v		D20236 2Kw 230v

Dimensions & Weights:								
A	B1	B2	C1	C2	D	E	F	F2
130	190	211	659	1004	560	616	734	734
Deck 24Kgs		Deck Ped 29Kgs		Cabin 27Kgs		Cabin Ped 33Kgs		