

L560RC 2Kw Halogen Remote Control Searchlight

The Francis L560RC Bus range of variable speed Remote Controlled Searchlights incorporate the design features required to successfully operate searchlights in the most demanding product operating environments on land and sea.

The L560RC is a high quality large range compact remote control halogen searchlight. These units are particularly suitable for use on patrol craft, Tugboats, custom vessels and general marine applications.

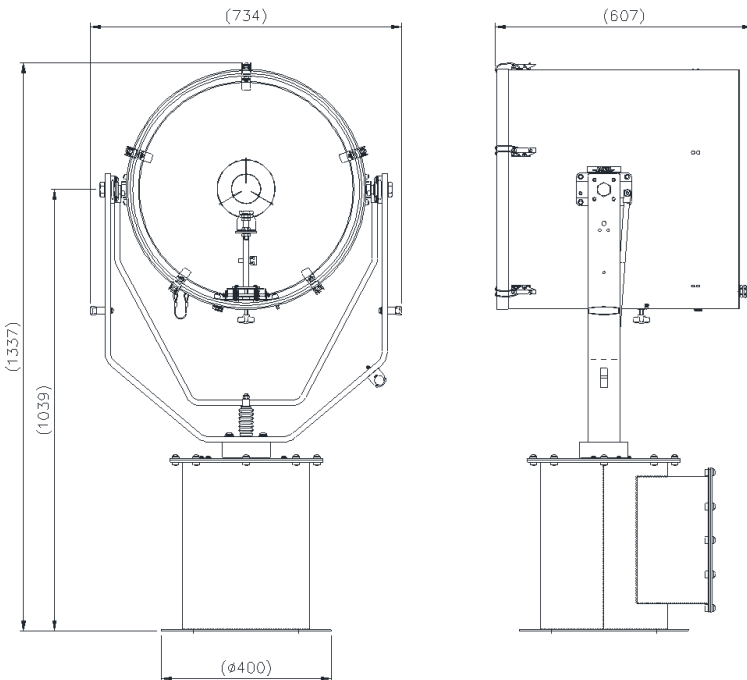
The Francis bus (FBUS) is a custom communication protocol based on RS485 two-wire bi-directional communication hardware.

Information:

- Toughened super clear Optiwhite front glass.
- Parabolic glass reflector
- Marine grade materials and fixings.
- Powder coated and stove enamel paint finish.
- Variable speed, with auto home position.
- Dimmable control panel.
- Heater fitted in gearbox & optional in barrel.
- Remote focus optional.
- Direct cable connection.

Optional extras:

- Computer Control Software
- Azimuth LED Control Panel
- Master Control Panel (control up to 6 Searchlights)
- Slave Control Panels (with full control)
- Fiber Optic/TCP/IP Connections
- Flir Thermal camera



Specification	
Input voltage:	110 VAC - 240 VAC
Input current:	18A Max – 9A Max
Total power consumption:	2000w Max 2200w Max
H,W,D:	1337 x 734 x 607mm
Weight:	53Kgs
Halogen power:	2Kw
Range @ 1 Lux:	2030m
Divergence:	4.8°
Lamp life (approx.)	400 h
Colour temperature:	3000K
Luminous flux:	42,000 lm
PBCP:	4,121 Mil
Pan rotation:	385°
Tilt elevation:	+30° -35°
Pan speed:	1 to 43°/sec
Tilt Speed:	1 to 14°/sec
IP rating:	IP66
Operating temperature:	-20°C to +50°C (Optional -50°)
Base Fixings:	4 holes 12.5 Ø on a 350mm PCD
Joystick Control Panel	120x120mm (106 x 106mm cutout)
Part Numbers:	
A7196 L560RC 115/240v 2Kw Remote Control Searchlight	
A7197 L560RC 115/240v RF 2Kw Remote Control Searchlight	
Optional Halogen Lamps:	
D20390 2Kw 115v	D20236 2Kw 230v