

## LSP380 575w Metal Halide Portable Suez Canal Searchlight

The metal halide Portable Suez Searchlight now available with innovative design features in order to meet the requirements of Suez Canal Authority.

The fully portable searchlight exceeds traditional light outputs of significantly larger and heavier units available in the market.

The generous specification includes lamp changeover, split beam reflectors and long life metal halide lamps. The electronic PSU is the latest technology and itself is integrated into the crutch, therefore the package is truly self contained and easily portable.

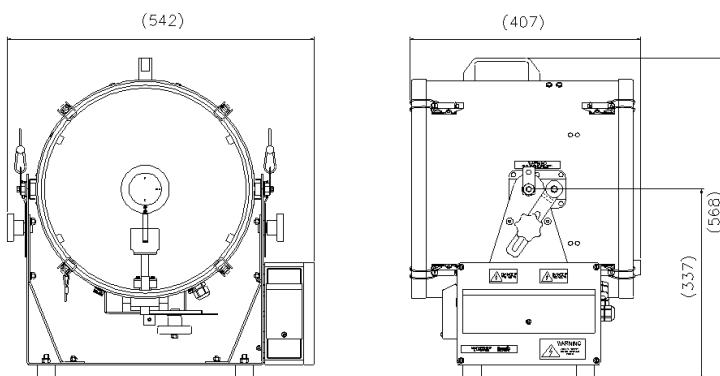
The Suez searchlight is obligatory for ships passing through the canal.

The metal halide offers a colour temperature of 6000k similar to daylight, and offers exceptional illumination, especially in polar regions and long range navigation.



### Information:

- Toughened super clear Optiwhite front glass.
- Parabolic split glass reflector.
- Marine grade materials and fixings.
- Powder coated and stove enamel paint finish.
- Instant re-strike. No "cooling" down time required.
- Light weight.
- Internal Electronic PSU.
- Fitted with lamp changeover system, in event of lamp failure.
- New external levers allowing the beams to be split accurately.
- Fixed focus.
- Split beam of two 20° sections giving a credible 40° split arc.
- Shoulder carry strap fitted as standard, offering safer and ease of transportation.



### Specification

Input voltage:	110 - 240v AC
Input current:	5.5A - 3AMax
Total power consumption:	1440w – 750w Max
Metal Halide power:	575w
Range @ 1 Lux:	3767m
Divergence:	2.1°
Lamp life (approx.)	1000h
Colour temperature:	6000K
Luminous flux:	49,000 lumens
PBCP x 1000:	14,190
Tilt elevation:	+10 - -40°
Searchlight weight:	17Kgs
IP rating:	IP54
Operating temperature:	-20°C to +50°C

### Base Fixings:

Deck: 4 holes Ø8.2 at 350 x 200mm

### Part Numbers:

A6229 LSP380 240v 575w Metal Halide Suez Canal Searchlight

D15764 575w Metal Halide Lamp