

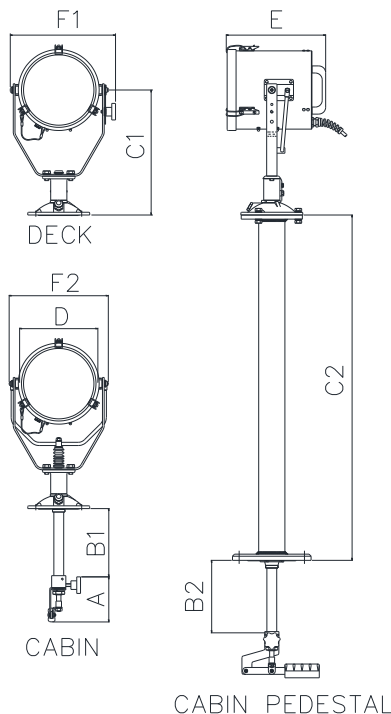
The Francis LX230 manual control searchlight is part of the high power Xenon range. Having been designed with the precise aim of bringing a low pro-file, high performing and cost effective solution to the market.

The LX230 has been carefully developed to withstand the extraordinary conditions while in use in the harshest of environment, such as Patrol Craft, Coast Guard and any application that requires a compact, lightweight and high performer.

Within the Francis LX range of marine searchlights, the LX230, utilizes a 100w xenon lamp, and has been designed to give maximum beam range and candlepower, giving the ability to identify objects and potential dangers from a far greater distance.

Information:

- Toughened super clear Optiwhite front glass.
- Parabolic super pure aluminium reflector.
- Marine grade materials and fixings.
- Powder coated and stove enamel paint finish.
- Special B1/2 & C2 dimensions available on request.
- Optional Heater fitted in barrel.
- Optional infra red filter.



Specification		
Input voltage:	24v DC,	115-240v AC
Input current:	3A Max	2A Max
Total power consumption:	240w	
Xenon power:	100w	
Range @ 1 Lux:	1761m	
PBCP x 1000:	3,100	
Divergence:	5° - 29°	
Lamp life (approx.)	50,000 h	
Colour temperature:	6000K	
Luminous flux:	4,300 lumens	
Pan rotation:	450°	
Tilt elevation Deck/Ped:	±45°	
Tilt elevation Cabin/Ped:	+30° -25°	
IP rating:	IP66	
Operating temperature:	-20°C to +50°C	
Base Fixings:		
Deck & Cabin: 3 holes Ø11.0 on a 154 PCD		
Deck Ped & Cabin Ped: 4 holes Ø12.5 on a 190 PCD		
Cabin & Cabin Ped: Ø75 Centre Hole		
Part Numbers:		
A6083 LX230D Deck 24v Xenon Searchlight		
A6104 LX230D Deck 115/240v Xenon Searchlight		
C21168-01 Cabin Control Handle Assy		
C20719-79 Pedestal Assy		
C21169-01 Cabin Pedestal Handle Assy		
Xenon Lamp:		
D25858 100w Xenon Lamp		

Dimensions & Weights:								
A	B1	B2	C1	C2	D	E	F1	F2
130	199	211	364	1004	230	283	308	291
Deck 10Kgs		Deck Ped 15Kgs		Cabin 12Kgs		Cabin Ped 18Kgs		