

LX480 2Kw Xenon Searchlight Manual Operation

The FRANCIS LX range of XENON searchlights is a Premium product, incorporate the design features required to successfully operate searchlights in the most demanding product operating environments on land and sea.

The colour temperature of the Xenon lamp being equal to that of 'sunlight', make this the searchlight ideal for polar regions.

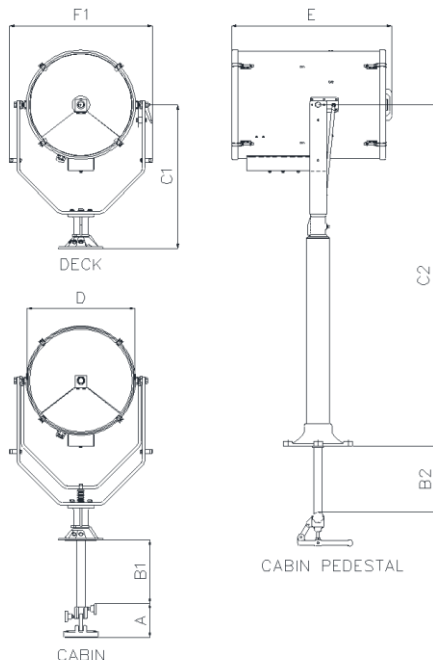
These high power searchlights are well suited to applications where long range and excellent light output are required. For marine applications assisting collision avoidance and man over board situations, and crucially saving lives.

The Francis Xenon searchlight is strong and very well manufactured, and hence is used extensively in security applications, including border control, prisons & watch towers.



Information:

- Immediate full lamp brilliance from switch on.
- Toughened super clear Optiwhite front glass.
- Parabolic glass reflector.
- Marine grade materials and fixings.
- Powder coated and stove enamel paint finish.
- Heater fitted in barrel.
- Remote Focus optional.
- Special B1/2 & C2 dimensions available on request.
- High quality Electronic PSU suitable for 50/60 Hz 1ph



Specification		
Input voltage:	115v AC	240v AC
Input current:	20A Max	10A Max
Total power consumption:	2400w Max	
Xenon power:	2Kw	
Range @ 1 Lux:	9506m	
PBCP x 1000:	90,000	
Divergence:	1.5° - 10°	
Lamp life (approx.)	2400h	
Colour temperature:	6000K	
Luminous flux:	75,000 lumens	
Pan rotation:	450°	
Tilt elevation Deck/Ped:	+45° -25°	
Tilt elevation Cabin/Ped:	±40°	
IP rating:	IP56	
Operating temperature:	-20°C to +50°C	
Base Fixings:		
Deck & Cabin: 3 holes Ø11.0 on a 174 PCD		
Deck Ped & Cabin Ped: 4 holes Ø12.5 on a 270 PCD		
Cabin & Cabin Ped: Ø52 Centre Hole		
PSU Fixings: 4 off M8 Holes 560 x 340mm		
Part Numbers:		
A7094 LX480D Deck 115v	A7083 LX480D Deck 240v	
A7095 LX480C Cabin 115v	A7084 LX480C Cabin 240v	
A7096 LX480DP Deck Ped 115v	A7085 LX480DP Deck Ped 240v	
A7097 LX480CP Cabin Ped 115v	A7086 LX480CP Cabin Ped 240v	
Xenon Lamp:		
D20195 2Kw Xenon Lamp		

Dimensions & Weights:

A	B1	B2	C1	C2	D	E	F1	F2
154	283	295	642	1523	480	718	641	639
Deck 50Kgs		Deck Ped 62Kgs		Cabin 52Kgs		Cabin Ped 70Kgs		
2Kw Xenon PSU weight: 20Kgs				Dimensions: 630 x 438 x 217mm				