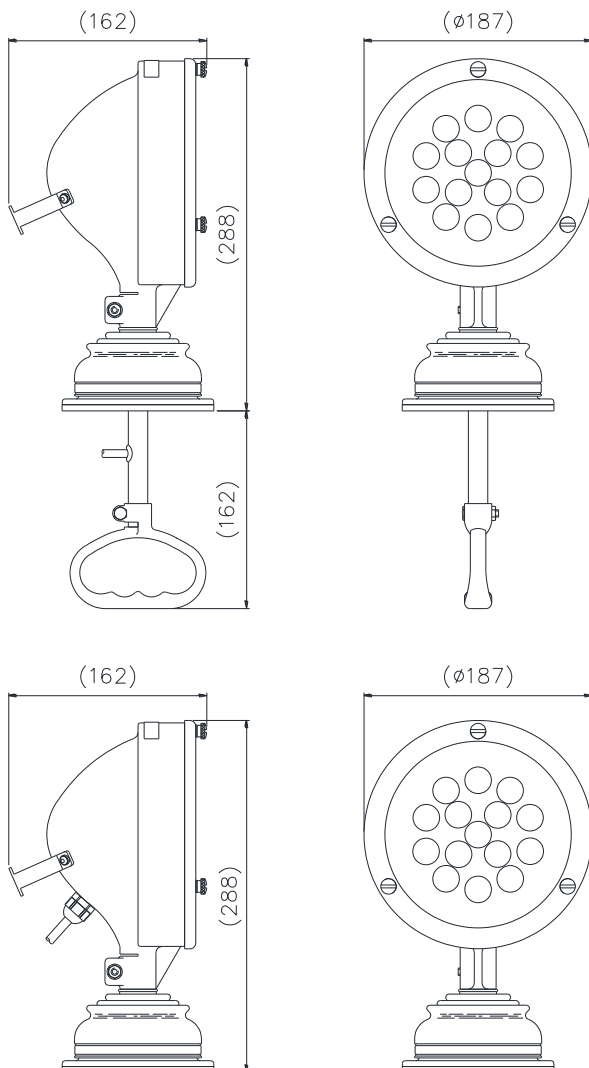


The M9 & M10 45w LED Searchlight, quality built searchlights are suitable for smaller craft where good illumination characteristics, durability and appearances are important factors.

These searchlights offer excellent efficiency using Cree LED chips and have handle control so can be controlled from inside cabin or vehicle.

Information:

- Toughened super clear Optiwhite front glass.
- High quality 5° Ledil Lenses.
- Marine grade materials and fixings.
- Powder coated and stove enamel paint finish.
- Cree LED Chip
- Special Cabin lengths available on request.
- Optional Signalling capability.



Specification	
Input voltage:	12/24v DC
Input current:	2A Max
Total power consumption:	48w
LED power:	45w
Range @ 1 Lux:	723m
Divergence:	5°
Lamp life (approx.)	50,000h
Colour temperature:	6500K
Luminous flux:	3126 lumens
Pan rotation:	360°
Tilt elevation:	±35°
IP rating:	IP65
Operating temperature:	-20°C to +50°C
Base Fixings:	
Deck & Cabin: 3 holes ø6.4 on a 108 PCD	
Cabin: ø45 Centre Hole	
Part Numbers:	
A6261 M9 45w LED Deck Silver	
A6262 M9 45w LED Deck White	
A6263 M10 45w LED Cabin Silver	
A6264 M10 45w LED Cabin White	