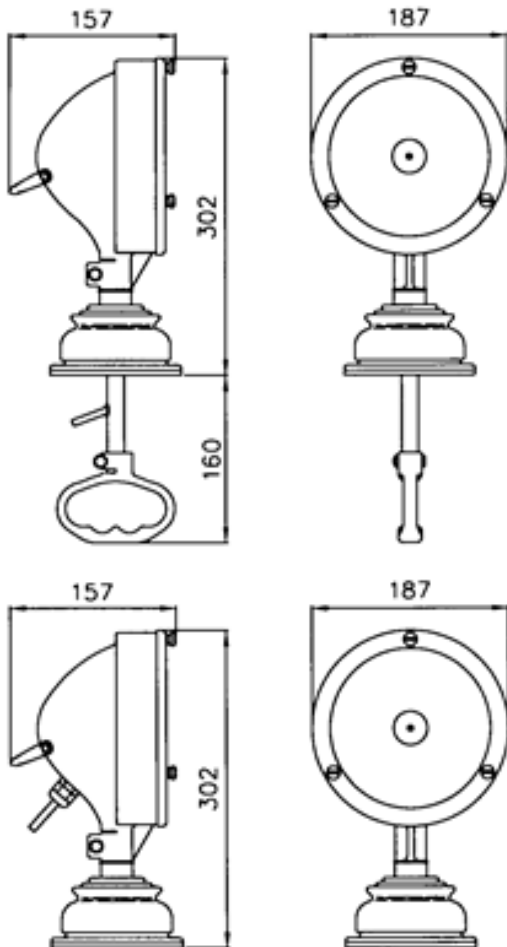


These attractive, quality built searchlights are suitable for smaller craft where good illumination characteristics, durability and appearances are important factors. These searchlights are approved by the UK Department of Transport Marine Directorate for use on ships' lifeboats.

Information:

- Toughened super clear Optiwhite front glass.
- Polished, electro-brightened super purity Aluminium, parabolic reflector.
- Marine grade materials and fixings.
- Powder coated and stove enamel paint finish.
- Tungsten halogen lamp.
- Special Cabin lengths available on request.
- Fixed Focus



Specification

Input voltage:	12v 24v DC
Input current:	9A 5A Max
Total power consumption:	110w 120w
Halogen power:	50w & 100w
Range @ 1 Lux:	492m & 438m
Divergence:	4.6° & 4.7°
Lamp life (approx.)	4000h, 2000h
Colour temperature:	3000K
Luminous flux:	1850 2200 lumens
Pan rotation:	360°
Tilt elevation:	±35°
IP rating:	IP65
Operating temperature:	-20°C to +50°C

Base Fixings:

Deck & Cabin: 3 holes Ø6.4 on a 108 PCD

Cabin: Ø45 Centre Hole

Part Numbers:

A2059 M9 Deck Silver

A2060 M9 Deck White

A2084 M10 Cabin Silver

A2085 M10 Cabin White